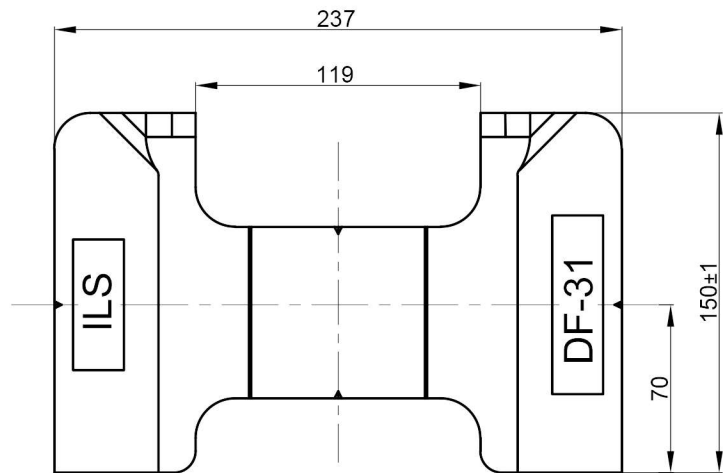


LOADS		TENSION [kN]	SHEAR [kN]
BREAKING LOAD	BL	500	420
PROOF LOAD	PL	313	263
SAFE WORKING LOAD	SWL	250	210

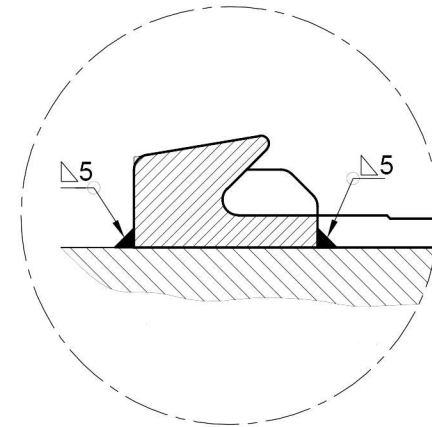
TOTAL WEIGHT: 3,7 kg



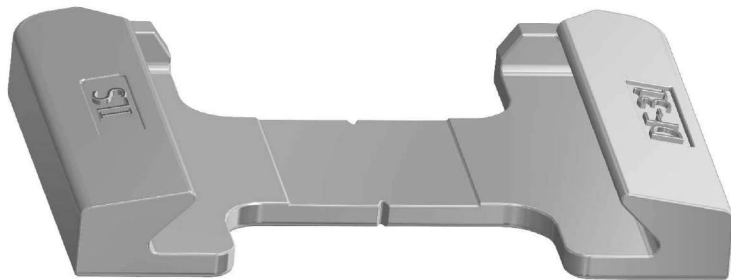
DET. A

TYPICAL WELDING:

WELDING TO GO COMPLETELY AROUND



DECK OR HATCH COVER



Artikel-Nr.: SQS_CLE10-01-0001-00

Bodenplatte DF-31 (Single Dovetail Socket 45°)

SQS UG (haftungsbeschränkt)
Talstraße 13
71546 Aspach

Fon: +49 7191 7351-300
Fax: +49 7191 7351-399
kontakt@sqs-shop.de

SQS[®]
Safety Quality System